

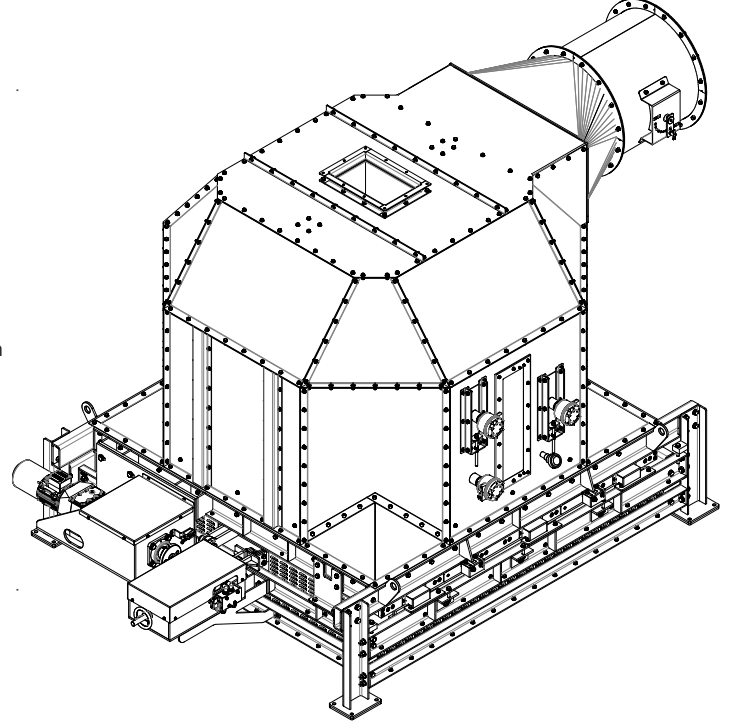


## COOLER

### COOLER

ALTINBILEK Coolers are designed as single and double layered in suitable structures for pelletizing systems. Coolers are industrial machines that are used to cool the compressed hot products from pellet presses to ambient temperature, to increase their resistance to breakage and dispersion and reduce their humidity at a certain rate and to improve storage conditions for a long time. Thanks to the unique design of Altinbilek Coolers that offers the best product and air distribution, the cooling process takes place in a stable and minimum time, the hardness of the pellet and PDI (Pellet Durability Index) values increase and the dustiness rate decreases. There is a wide observation window and inspection cover in order to provide access to the cooler.

There is a lighting window on the entrance hood to comfortably check inside the cooler. There are safety and level sensors on the control cover. Thanks to the level sensors, the discharge frequency of the products can be adjusted with the automation system depending on the cooling times. There are fixed and rotary type distribution systems in Altinbilek Coolers to ensure a balanced distribution of the product. In case of demand in rotary type distribution systems, a sweeping mechanism with adjustable length is applied. Discharge options are offered with two separate options as Forward-Backward and open-close. With the help of temperature sensor at the cooler outlet, the temperature of the product is measured after the process and information is transferred to the automation.



### FEATURES

- Superior Capacity Performance
- Balanced Product and Homogeneous Air Distribution
- Large Internal Capacity
- Grid Adjustment System
- Fixed or Rotary Type Distribution System
- Effective Sealing Elements
- Easy Use and Maintenance

### DRIVE SYSTEM

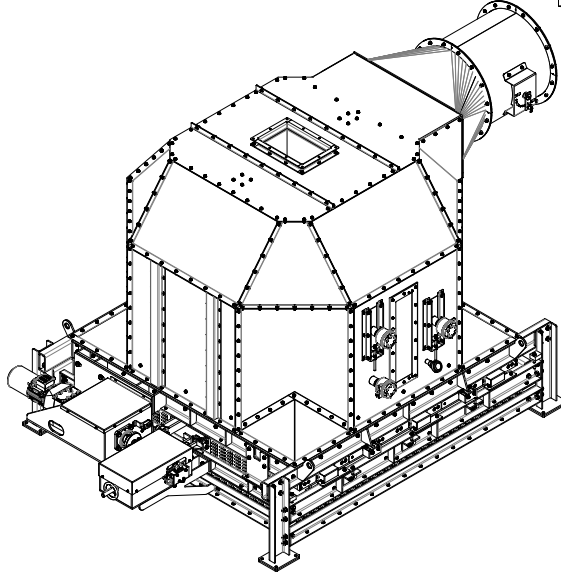
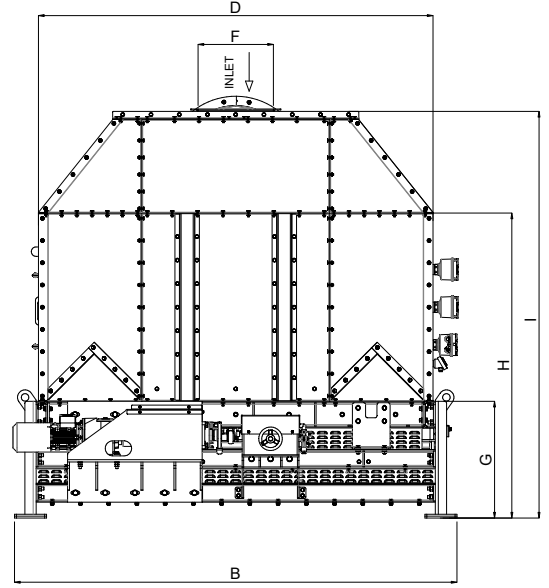
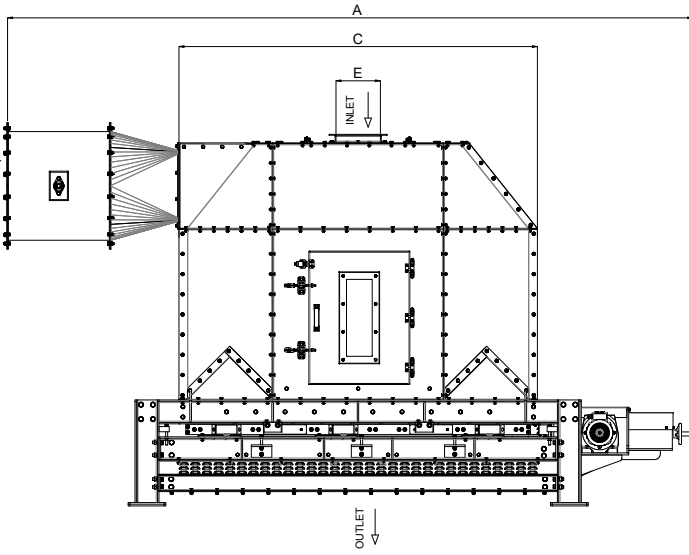
- Geared Motored Distributor (Rotary Type Distributor)
- Geared Motor (Rotary Type Distributor and Moving Discharge Models)
- Hydraulic Piston and Unit (Open-Close Discharge Models)
- IE3 Class High Efficiency Electric Motor (IE4 - Optional)
- Hydraulic Piston and Unit (Open-Close Discharge Models)

### SECURITY SYSTEMEM

- Safety Sensor on Covers
- Distance Adjustable Level Sensors

### ACCESSORIES

- Easy to Open Maintenance and Intervention Cover
- Cooling Cell Lighting
- Air Adjustment Flap
- Exit Hopper
- Temperature sensor (Optional)



Model	Cooling Area (m <sup>2</sup> )	Dimensions (mm)								
		A	B	C	D	E	F	G	H	I
STMP15	2,25	2750	2685	1500	1500	260	400	620	1620	2120
STMP20	4	4020	2350	2000	2000	260	400	620	1620	2160
STMP24	5,76	3650	3490	2400	2400	380	430	620	1820	2380
STMP28	7,84	4130	3910	2800	2800	380	430	620	2020	2575
STMP32	10,24	4600	4325	3200	3200	400	450	620	2320	2975
STMP10	1	2200	1260	1000	1000	230	280	570	1570	1890
STMP32	10,24	4600	4260	3200	3200	400	450	1040	2740	3400
STMP28	7,84	4230	3350	2800	2800	380	430	630	2030	2580
SCP24	315-355	3575	3275	2400	2400	380	430	560	2600	3175

The designs and dimensions may be modified without notice.